

Rated Total Load Chart (6 falls) unit: kg

Working radius (m)	5.52m Boom		8.99m Boom		12.46m Boom	15.93m Boom	19.40m Boom
	Stationary	Pick & Carry	Stationary	Pick & Carry	Stationary	Stationary	Stationary
2.00	8090	3500	6390	3200			
2.50	8090	3500	6390	3200	4690		
2.80	8090	3500	6390	3200	4690		
3.00	7430	3500	6390	3200	4690	3390	
3.50	6050	3030	6250	3130	4690	3390	2390
4.00	5150	2580	5370	2690	4690	3390	2390
4.50	4520	2260	4670	2340	4590	3390	2390
5.00	4050	2030	4080	2040	4010	3390	2390
5.35	3790	1900	3730	1870	3670	3390	2390
5.50			3590	1800	3530	3340	2390
6.00			3170	1590	3130	3040	2390
6.50			2800	1400	2790	2770	2350
7.00			2490	1250	2500	2540	2140
8.00			1960	980	2030	2140	1800
8.82			1620	810	1720	1860	1570
9.00					1660	1810	1530
10.00					1360	1530	1310
11.00					1120	1300	1130
12.00					920	1100	970
12.29					870	1050	940
13.00						930	850
14.00						780	730
15.00						650	640
15.73						560	570
16.00							550
17.00							480
18.00							410
19.00							350
19.23							340

*The Rated Total Load Chart is based on the actual working radius including boom deflection.
 *The weight of hook block (standard 6, 4 & 2fall -90kg) must be included as part of the load shown in the Rated Total Load Chart.
 *When using 4 falls, 2falls or single fall hooks, use the appropriate 6 fall Rated Total Load Chart above but with a maximum load of : 4 falls-6090kg, 2 falls-5090kg, Single fall-1520kg.

Rated Total Load Chart for Searcher Hook unit: kg

Working radius (m)	5.52m Boom		8.99m Boom		12.46m Boom		15.93m Boom		19.40m Boom	
	SH1,2,3	SHW	SH1,2,3	SHW	SH1,2,3	SHW	SH1,2,3	SHW	SH1,2,3	SHW
2.00	2000	1520	2000	1520	2000	1520	2000	1520	1600	1520
3.00	2000	1520	2000	1520	2000	1520	2000	1520	1600	1520
4.00	2000	1520	2000	1520	2000	1520	2000	1520	1600	1520
5.00	2000	1520	2000	1520	2000	1520	2000	1520	1600	1520
6.00	2000	1520	2000	1520	2000	1520	2000	1520	1600	1520
6.11	2000	1520	2000	1520	2000	1520	2000	1520	1600	1520
6.64	2000		2000	1520	2000	1520	2000	1520	1600	1520
6.85	2000		2000	1520	2000	1520	1930	1520	1600	1520
7.00			2000	1520	1950	1520	1890	1520	1600	1520
7.14			2000	1520	1900	1520	1840	1520	1600	1520
7.28			1950	1520	1850	1520	1800	1520	1600	1520
8.00			1700	1520	1620	1520	1610	1520	1380	1380
9.00			1360	1360	1350	1350	1380	1380	1150	1150
9.11			1320	1320	1330	1330	1360	1360	1130	1130
10.00			1030		1130	1130	1190	1190	970	970
10.32			930		1060	1060	1130	1130	920	920
11.00					930	930	1020	1020	830	830
12.00					760	760	870	870	710	710
12.12					740	740	850	850	700	700
13.00					610	740	740	740	610	610
13.79					500		650	650	550	550
14.00							630	630	530	530
15.00							520	520	460	460
15.12							510	510	450	450
16.00							430		400	400
17.00							350		350	350
17.26							330		330	330
18.00									300	300
18.13									290	290
19.00									260	260
20.00									220	220
20.73									200	200

*The Rated Total Load Chart is based on the actual working radius including boom deflection.
 *The weight of the fixed hook (3kg), the ball hook (20kg) must be included as part of the load shown in the Rated Total Load Chart.

Rated Total Load Chart for Fly Jib unit: kg

Main boom Angle	Main Boom Length 19.40m														
	Fly Jib Length ① 3.7m						Fly Jib Length ② 5.9m								
	0°	10°	20°	30°	40°	50°	0°	10°	20°	30°	40°	50°			
80°	1520	1120	820	770	720	670	620	1020	820	620	520	420	370	320	270
70°	1120	820	770	720	670	620	520	820	620	520	420	370	320	270	270
60°	780	740	710	670	620	520		620	520	420	370	320	270		
50°	410	400	380	380	370			370	350	330	300	270			
40°	200	200	190	190				180	170	160	160				

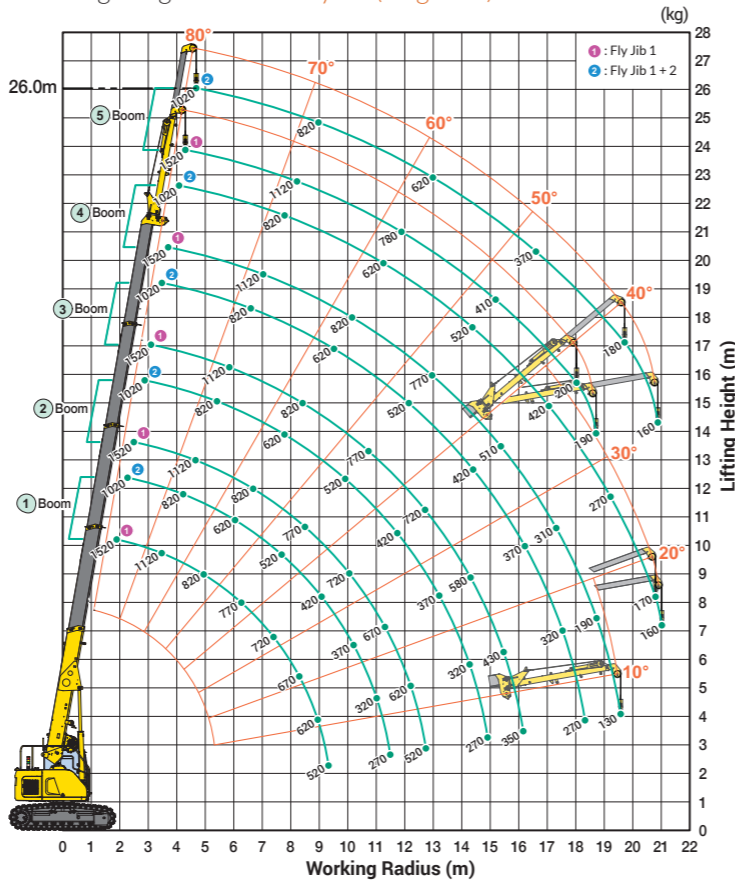
Main boom Angle	Main Boom Length 15.93m														
	Fly Jib Length ① 3.7m						Fly Jib Length ② 5.9m								
	0°	10°	20°	30°	40°	50°	0°	10°	20°	30°	40°	50°			
80°	1520	1120	820	770	720	670	620	1020	820	620	520	420	370	320	270
70°	1120	820	770	720	670	620	520	820	620	520	420	370	320	270	270
60°	820	770	720	670	620	520		620	520	420	370	320	270		
50°	770	720	670	620	520			520	420	370	320	270			
40°	510	500	490	480				420	370	320	270				
30°	310	310	300					270	270	260					
20°	190	190						170	160						
10°	130														

Main boom Angle	Main Boom Length 12.46m														
	Fly Jib Length ① 3.7m						Fly Jib Length ② 5.9m								
	0°	10°	20°	30°	40°	50°	0°	10°	20°	30°	40°	50°			
80°	1520	1120	820	770	720	670	620	1020	820	620	520	420	370	320	270
70°	1120	820	770	720	670	620	520	820	620	520	420	370	320	270	270
60°	820	770	720	670	620	520		620	520	420	370	320	270		
50°	770	720	670	620	520			520	420	370	320	270			
40°	720	670	620	520				420	370	320	270				
30°	580	560	520					370	320	270					
20°	430	420						320	270						
10°	350							270							

Main boom Angle	Main Boom Length 5.52m, 8.99m														
	Fly Jib Length ① 3.7m						Fly Jib Length ② 5.9m								
	0°	10°	20°	30°	40°	50°	0°	10°	20°	30°	40°	50°			
80°	1520	1120	820	770	720	670	620	1020	820	620	520	420	370	320	270
70°	1120	820	770	720	670	620	520	820	620	520	420	370	320	270	270
60°	820	770	720	670	620	520		620	520	420	370	320	270		
50°	770	720	670	620	520			520	420	370	320	270			
40°	720	670	620	520				420	370	320	270				
30°	670	620	520					370	320	270					
20°	620	520						320	270						
10°	520							270							

*The Rated Total Load Chart is based on the actual working radius including boom and jib deflection.
 *The weight of the ball hook (20kg) must be included as part of the load shown in the Rated Total Load Chart.

Working Range Chart for Fly Jib (Single fall) (kg)



Due to improvements, the specifications are subject to change without notice. Before use, please read the Operation Manual



TELESCOPING CRAWLER CRANE **CC1908S-1**

Crane Capacity
8.1t × 2.8m

Max. lifting height
20.1m / 26.0m with fly jib

Max. working radius
19.23m / 20.9m with fly jib

Pick & Carry capacity
3.5t

NEW MODEL



MAEDA SEISAKUSHO CO.,LTD.

Head office | No.1095, Onbegawa, Shinonoi, Nagano-City, Nagano-Pref. 388-8522 Japan
 TEL.+81(0)26 292 2228 FAX.+81(0)26 293 5590
 URL : www.maedaminicranes.com E-mail : contact@maeda-minicranes.com

TECHNOLOGY IN MOTION



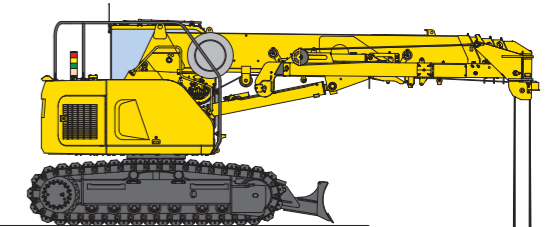
NEW MODEL TELESCOPING CRAWLER CRANE **CC1908S-1**

- ✓ Minimal Tail Swing
- ✓ EU Stage V Compliant Engine
- ✓ Programmable Moment Limiter (Touchscreen)
- ✓ Slew Angle Limit Setting

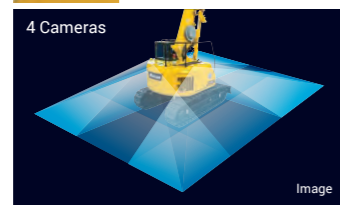
Specifications

Model	CC1908S-1	
Crane capacity	8.1t x 2.8m	
Max. working radius	19.23m (20.9m with fly jib)	
Max. lifting height	20.1m (26.0m with fly jib)	
Max. reach below ground level	-23.2m (6 falls) / -35.8m (4 falls) / -73.2m (2 falls) / -148.8m (1 fall)	
Pick & Carry capacity	3.5t	
Machine Weight (incl. rubber pads)	19,400kg (19,900kg with fly jib)	
Machine Weight with Blade	20,350kg (20,850kg with fly jib)	
Overall length x width x height	7,380mm x 2,490mm x 3,015mm	
Tail swing	1,675mm	
Winch system	Number of wire falls for Hook	6 falls / 4 falls / 2 falls / (1 fall option)
	Hook speed Low	19.0m/min (4 layers, 6 falls)
	Hook speed High	27.0m/min (4 layers, 6 falls)
	Hoist wire rope	IWRC 6 x Fi (29) φ10mm x 160m
Telescopic system	Boom type	Fully automatic 5-section pentagonal telescopic boom
	Boom length	5.52m - 8.99m - 12.46m - 15.93m - 19.40m
	Boom telescoping stroke / time	13.88m / 51sec
Boom hoist system	Hoist angle / time	0 to 80 degree / 23sec
Slew system	Slew angle / time	360deg / 2.5rpm
	Travel speed Low	Forward & backward 0~1.8km/h
	Travel speed High	Forward & backward 0~3.1km/h
Drive system	Gradability	20deg
	Ground pressure	65.6kPa (0.67kgf/cm ²) [67.3kPa (0.69kgf/cm ²) with fly jib]
	Ground pressure with Blade	68.8kPa (0.70kgf/cm ²) [70.5kPa (0.72kgf/cm ²) with fly jib]
	Model	Yanmar 4TNV98CT
Engine	Emission level	EU Stage V
	Displacement	3.318L (3,318cc)
	Rated output	52.3kW / 2,100min ⁻¹ (71.1PS / 2,100rpm)
	Fuel / Fuel tank capacity	Diesel / 150.0L
Safety device	Hydraulic safety valve, Overwind protection, Level, Safety lock lever, Tilt alarm, EMO switch, Moment limiter, LED working status lamp, Surround view camera, Data logger, Slew restriction device	
Optional items	Single fall hook, Blade, Searcher hook (2.0t), Hydraulic type Fly jib (1.5t), Radio remote control, Fuel feed pump, Tool box, Side mirror	

Max. Reach Below Ground



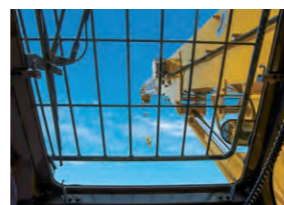
10.4 inch Touchscreen Multi Monitor



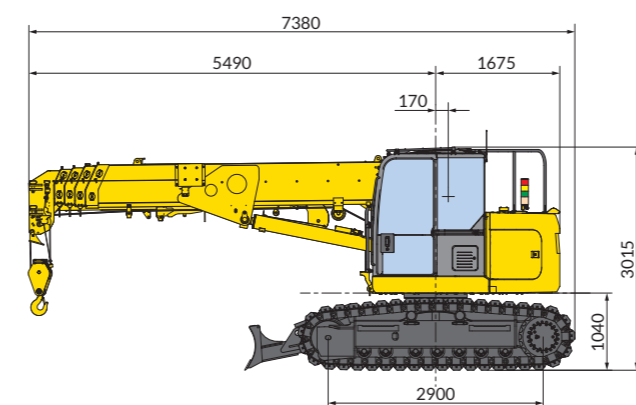
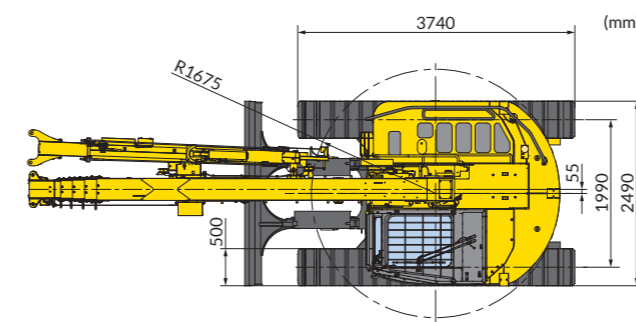
Surround View Camera & Monitor



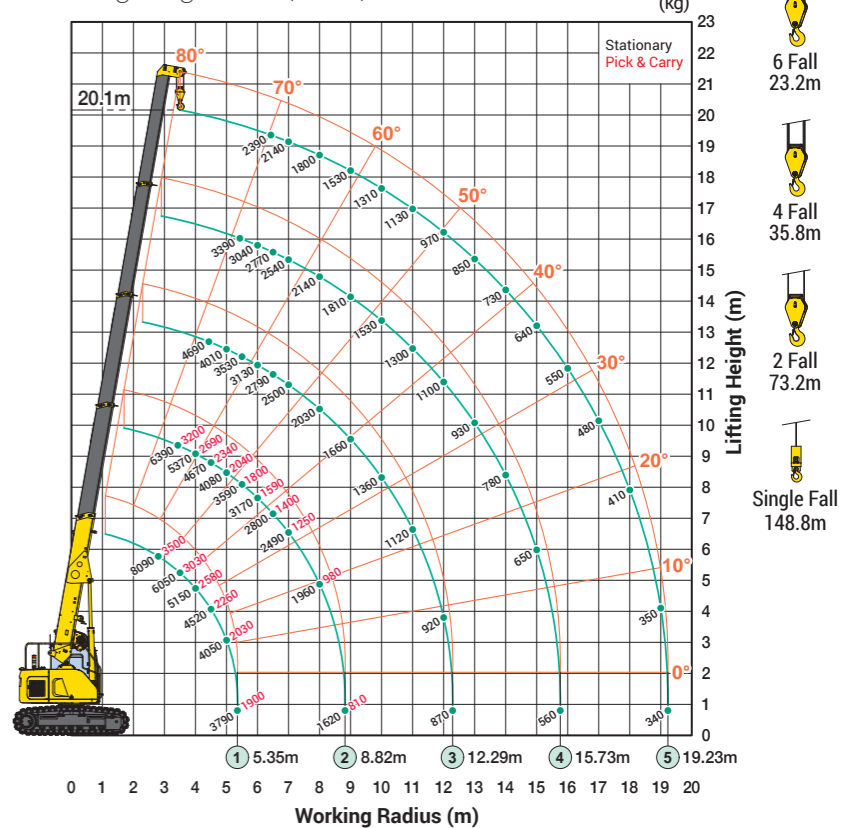
Wide View Roof Window



Dimensions



Working Range Chart (6 falls)



Options



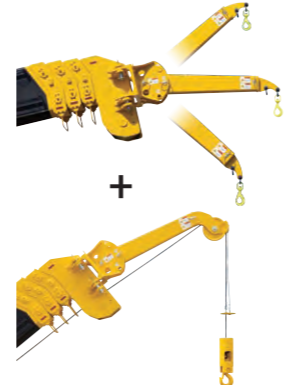
Blade



Radio Remote Control



Hydraulic Fly Jib (1.5t)



Searcher Hook (2.0t) + Single Fall Hook (1.5t)



Tool Box



Fuel Feed Pump